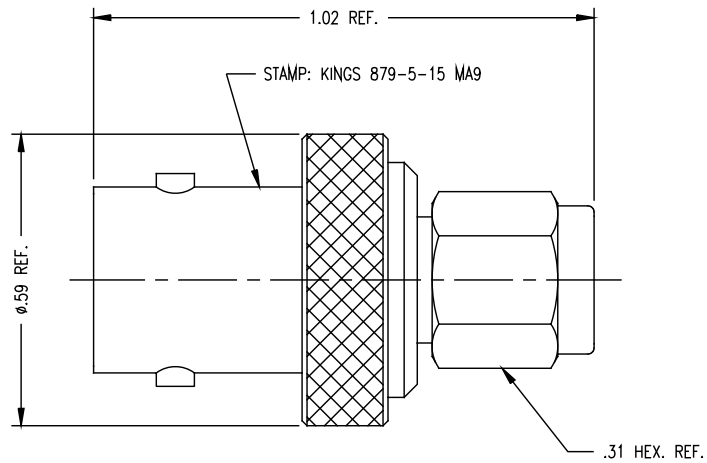


SD

879-5-15 MA9



NOTES:

- INTERFACES PER MIL-STD-348, FIG. 310-1 (SMA) AND 301-2 (BNC).
- MATERIALS:
 - INSULATOR: TEFLON, ASTM-D-4894
 - CENTER CONTACT } BER. COP., ASTM-B-196
 - SMA BODY } BER. COP., ASTM-B-196
 - C-RING } BER. COP., ASTM-B-196
 - BNC BODY: BRASS, ASTM-B16
- FINISHES:
 - ALL METAL PARTS EXCEPT C-RING: GOLD PLATE PER MIL-G-45204
- ELECTRICAL CHARACTERISTICS:
 - NOMINAL IMPEDANCE: 50 OHMS
 - FREQUENCY RANGE: DC TO 4 GHZ
 - WORKING VOLTAGE: 500 VRMS

REVISIONS

ISSUE	CHANGES
7	CN 37502 C REDRAWN KH 12/05/97

879515SD

SCALE 4:1

APPROX SURFACE AREA

USED ON

REF:

ADPT, F-F, BNC TO SMA

DRAWN JJM DATE 12/03/70

DESIGN PW DATE 01/13/71

APPR. DATE

KINGS
ELECTRONICS CO., INC.
TUCKAHOE, NEW YORK 10707

SD

879-5-15 MA9